

SARGENT®

ASSA ABLOY

Holders & Stops



Table of Contents

Holders & Stops

Overview.....	1
General Information.....	2
How to Select Product.....	3
Options, Certifications, Limited Warranty, & Specifications.....	4
1790 Series Heavy Duty Overhead Surface Mount.....	5
1760 Series Low Profile Standard Overhead Concealed Stop.....	6
1720 Series Light Duty Overhead Concealed Mount.....	7
1710 Series Heavy Duty Overhead Concealed Mount.....	8
1701 Series Light Duty Overhead Surface Mount.....	9
SARGENT Traditional Holders & Stops General Information.....	10
Features and Details.....	11
590 Series Heavy Duty Overhead Surface Mount.....	12
690 Series Heavy Duty Overhead Concealed Mount.....	13
1540 Series Standard Duty Overhead Surface Mount.....	14
1530 Series Standard Duty Overhead Concealed Mount.....	15
1560 Series Electromagnetic Door Holders.....	16
Overhead Holder & Stop Installations.....	17
Finishes & Door Closer Compatibility Chart.....	18

SARGENT®

ASSA ABLOY



MicroShield®

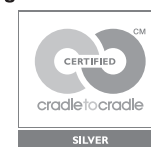
As part of their promise to provide innovative solutions to their customers, certain ASSA ABLOY Group brands offer the MicroShield® technology, a silver-based antimicrobial coating designed to inhibit the growth of bacteria. MicroShield® is a registered trademark of Yale Security Inc., an ASSA ABLOY Group company.

MicroShield® Coating

- Revolutionary finish coating available on all SARGENT product lines, utilizes a silver-based antimicrobial compound from Agion Technologies. Not offered on the 1560 and 1700 series.
- As an integral part of the finish coating, MicroShield® lasts for the life of the hardware
- MicroShield® coating permanently suppresses the growth of bacteria, algae, fungus, mold and mildew. It is effective against a broad spectrum of bacteria.
- Non-toxic and completely safe. The Agion antimicrobial compound is EPA and NSF approved and FDA listed for use in medical and food preparation equipment.
- Applications: Anywhere there is need for a clean environment (hospitals, laboratories, schools, medical centers, daycare, food processing etc.)



Agion has achieved:



Agion's silver antimicrobial has been certified for its material content, recyclability, and manufacturing characteristics. Cradle To Cradle Certified^{CM} products meet established standards for human health, environmental health and recyclability.

Cradle To Cradle Certified^{CM} is a certification mark of MBDC.

Copyright © 2003, 2007, 2009-2012, Sargent Manufacturing Company, an ASSA ABLOY Group company. All rights reserved. Reproduction in whole or in part without the express written permission of Sargent Manufacturing Company is prohibited.

On the Cover

590 Series Heavy Duty Surface Mount Overhead Holder
1561 Electromagnetic Wall Mount Door Holder

1-800-727-5477 • www.sargentlock.com

ASSA ABLOY, the global leader in door opening solutions

Introduction to SARGENT Overhead Holders & Stops

SARGENT overhead stops/holders are designed to protect the door and hardware from the abuse commonly found in commercial and institutional applications. With different series that include surface or concealed, standard or heavy duty, SARGENT has a stop/holder for every application.

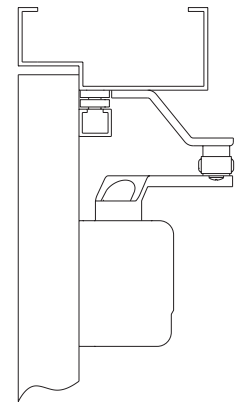
Overhead stops/holders are the most robust method of stopping a door while eliminating unsightly wall stops and floor stops. An overhead door stop protects the opening by effectively distributing abusive forces. Some door closers are available with stops/holders incorporated into them and work well in most cases, but continuous abuse can lead to frame and hinge failure. SARGENT overhead stops/holders are designed and manufactured for many years of service. The 590, 690, 1530 and 1540 series come with a 5 year warranty. The 1700 series have a 2 year warranty.

Applications

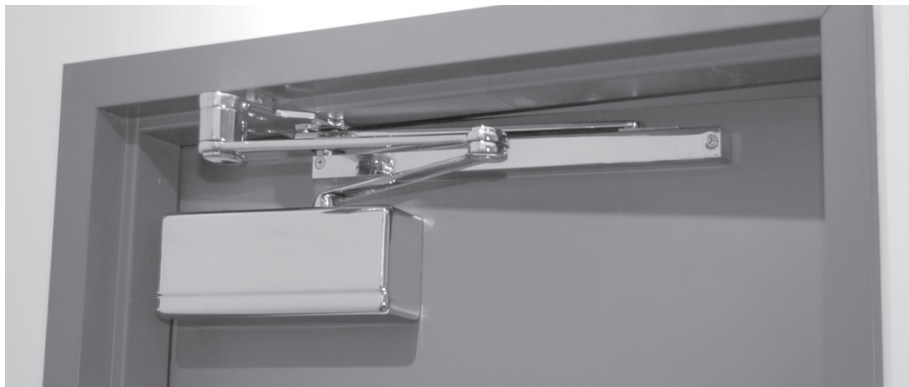
- Office Buildings
- Assisted Living Facilities
- Hotel Guest Rooms
- Public Housing
- Retail Establishments



1793 S



1431 P3 Shown with 1548 Stop



281 PD10 with 590 Series stop in a 26 finish

1700 Series Holders and Stops

General Information

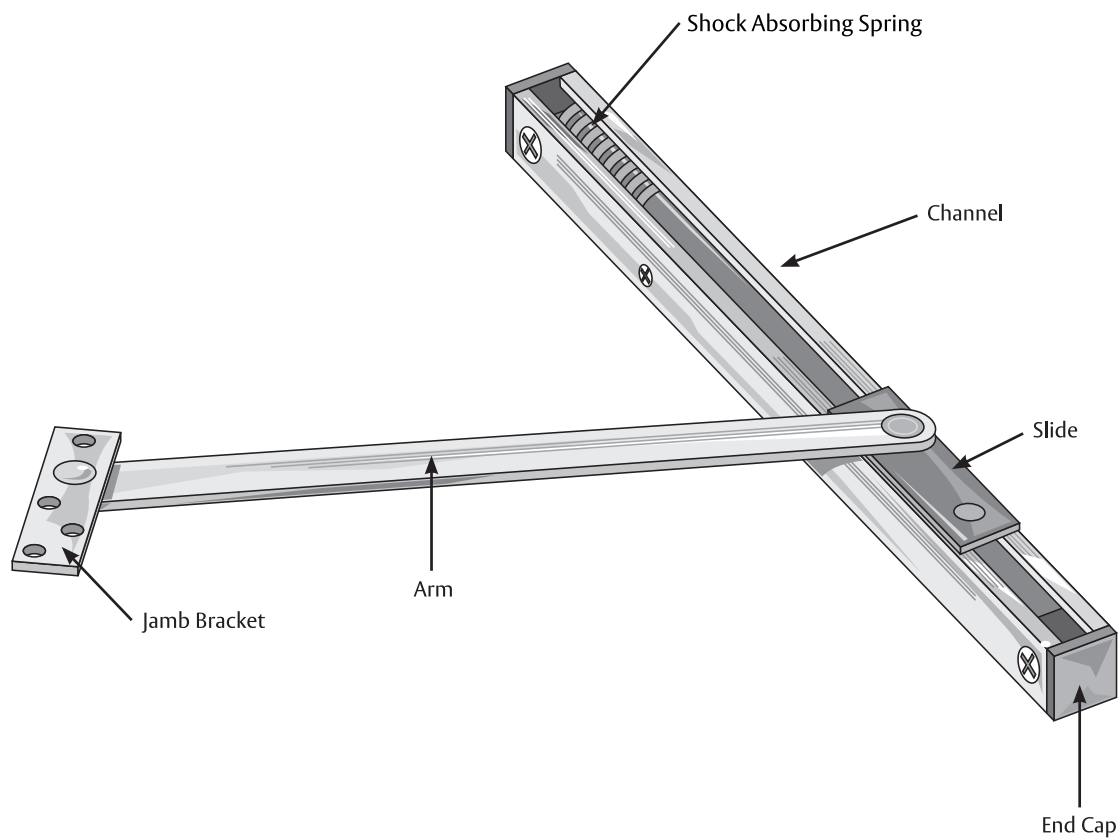
Holders & Stops

SARGENT[®]
ASSA ABLOY

Introduction

SARGENT 1700 Series overhead stops and holders are used to extend the life of the door, frame and any door closing devices. They may be necessary if there are strong winds, high traffic or abuse.

- Absolute door control when used in conjunction with a door closer
- Provides positive deadstop at selected degree
- 3 functions available
 - Hold Open – door remains held open near deadstop location
 - Stop – door deadstops at a particular degree of opening
 - Multi Function – adaptable as hold open, stop or Friction Holder (used on doors without closers to provide some level of door control)
- Available as surface mounted or concealed
- Standard mount on push side of door (see model descriptions for pull side installations)
- Thru bolts are furnished with all surface models and must be used for installation.
- Non-Handed
- Shock absorber spring provides 5°–7° compression before dead stop



1700 Series Holders and Stops

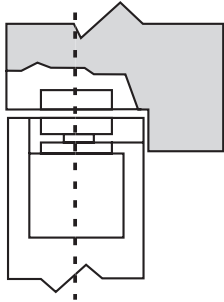
How to Select Product

Holders & Stops

SARGENT®

ASSA ABLOY

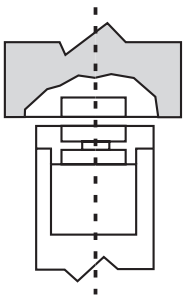
Concealed Mounting



Method A – Standard Installation, Single Acting All concealed Holders & Stops

For single acting doors, the jamb bracket is mortised into the frame and the channel mortised into the top of the door. Both the bracket and channel are secured with wood or machine screws.

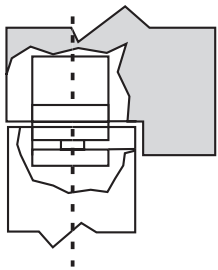
A cutout for the arm is required on the stop side of the door only. A hole must be drilled for the control knob of the No. 1 Series holder only.



Method B – Standard Installation, Double Acting All Concealed Holders and Stops

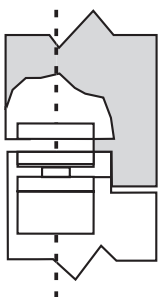
For double acting center hung floor closer or pivot applications.

Mounting is similar to Method A, with the exception that the cutout for the arm is required on both sides of the door.



Method C - Inverted Installation, Single Acting 1540 & 1720 Series Holders and stops

Recommended for doors with minimum top rail depth. The arm and jamb bracket are mortised into the door, and the channel is installed in the header with wood or machine screws. The cutout for the arm is required on the stop side of the door only.



Method D - Rabbeted Door Installation, Single Acting 1540 & 1720 Series Holders and stops

This method is designed for 1-3/4" doors with 1/2" maximum rabbet. The jamb bracket is mortised into the header and the arm and channel are mortised into the door. Wood or machine screws are used for fastening.

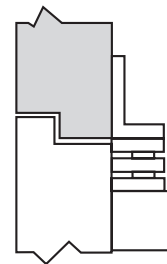
The cutout for the arm is required on the stop side of the door only.

Surface Mounting



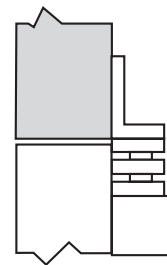
Method No. 1 – Standard Installation (Push side of door) All surface mounted Holders and Stops

The jamb bracket mounts on the soffit with wood or machine screws. The channel mounts to the door with sex bolts.



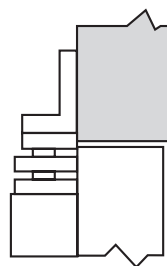
Method No. 2 – Rabbeted Door Installation (Push side of door) All Surface mounted holders and stops

A special angle jamb bracket adapter mounts on the header with wood or machine screws. The jamb bracket attaches to the adapter with machine screws. The channel fastens to the door with sex bolts. (Same bracket as used with Method 3 and 5. See catalog for bracket number for each model.)



Method No. 3 - Flush Door Installation (Push side of door) All Surface mount Holders and Stops

This method of installation is identical to Method No. 2 for Rabbeted Doors. (Same bracket as used with Method 2 and 5. See catalog for bracket number for each model.)



Method No. 5 - Reverse Installation (Pull side of door) All Surface mount Holders and Stops

The jamb bracket adapter is secured to the header with wood or machine screws. The jamb bracket fastens to the adapter with machine screws and the channel mounts on the door with sex bolts. (Same bracket as used with Method 2 and 3. See catalog for bracket number.)

1700 Series Holders and Stops

Options, Limited Warranty, & Specifications

Holders & Stops



Options

Angle Jamb Bracket Adapter –
Standard-duty models p/n 22-2071 (non-handed)
Heavy-duty p/n 22-2072 (LH) or 22-2073 (RH)

When surface mounted units are mounted on a rabbeted door on the push side, flush door and transom on the push side, or in a reverse installation on the pull side of the door a special bracket is needed. Note that not all models can be mounted on the pull side of the door (*See specific model numbers in catalog.*)

Limited Warranty

All 1700 Series overhead stops and holders carry a 2 year warranty for defects.

Specifications

All overhead stops and holders shall be from a single manufacturer.
Standard-duty models used for interior or low to medium traffic doors.
Heavy-duty models used for exterior or high traffic doors or doors subject to abuse.
1700 Series products provide hold open and/or deadstop.



22-2071



22-2072

1790 Series Heavy Duty Overhead Surface Mount

Holders & Stops

SARGENT®

ASSA ABLOY

Interior or Exterior – High Traffic Doors

1790 Series

- Surface application for exterior and interior single acting doors
- Two types to choose from:
 - “H” Holder; Stops and Holds doors open
 - “S” Stop; Stops door only
- All holders/stops are installed for a particular degree of hold open or stop ranging from 85° to 110°, except for center hung 30-36 door which is 105°

UL Classified

- SARGENT 1790 Series stops are 10C classified by Underwriter Laboratories as Miscellaneous Fire Door Accessories

Note: Door stops are not fire rated. The door and frame carry the fire rating

Hold-Open Models

- Convenient knob provides simple “on-off” control of hold-open feature
- Adjustable release tension

Brackets

For Flush Door and Frames

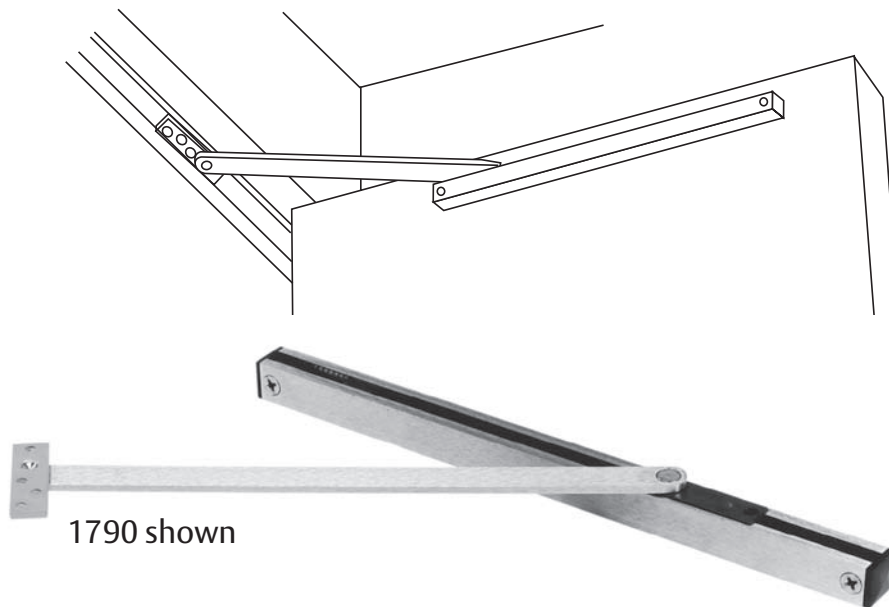
1790 Series holders can be mounted on flush door and frame assemblies through the use of the angle jam bracket adapter 22-2072 LH or 22-2073 RH. This handed bracket allows the mounting of the jamb bracket to the top casing.

How to Order

Specify options, number, letter designation, finish and door thickness as required

Example: 1794H 26D x 1-3/4" door

Shipping Weight 4.5 lbs.	ANSI No.	
	Hold Open	Stop
	C02512	C02542



Specifications

For Doors	Exterior and interior doors from 24" to 48" wide* and for doors 1-3/4" to 2" thick
Finishes	03, 04, 9, 10, 10B, 14, 15, 20D, 26D, 32, 32D, and EN, EB, ED, EP, EAB powder coat
Fasteners	Wood screws, machine screws, through-bolts, Mortise nuts supplied for 1-3/4"– 2" thick doors.
Options	<ul style="list-style-type: none"> • Torx screws must be ordered separately using 22-2065 x finish for 1790S or 22-2064H x finish for 1790H • Replacement screw packs should be ordered as 22-2054 x finish for 1790H models and 22-2055 x finish for 1790S models

*** When using vertical rod exit devices and/or surface/flush bolts, use caution in choosing the proper size to ensure compatibility**

Door Size Chart

Butts Offset Pivots	Center Hung Pivots	Sizing Chart	
		Hold Open	Stop Only
*24" - 28"	25-1/2" - 30"	1791H	1791S
28-1/16" - 33"	30-1/16" - 36"	1792H	1792S
33-1/16" - 38"	36-1/16" - 41"	1793H	1793S
38-1/16" - 43"	41-1/16" - 46"	1794H	1794S
43-1/16" - 48"	46-1/16" - 50"	1795H	1795S

*Butt hung only on this size door. No swing clear hinges.

1760 Series Low Profile Standard Overhead Concealed Stop

Holders & Stops

SARGENT®
ASSA ABLOY

Interior or Exterior – Medium Traffic Doors

1760 Series

- Surface application for exterior and interior single or double acting doors
- “S” Stop; Stops door only
- All stops are installed for a particular degree of hold open or stop ranging from 85° to 110°
- Channel is 1-1/4" wide by 1/2" deep

UL Classified

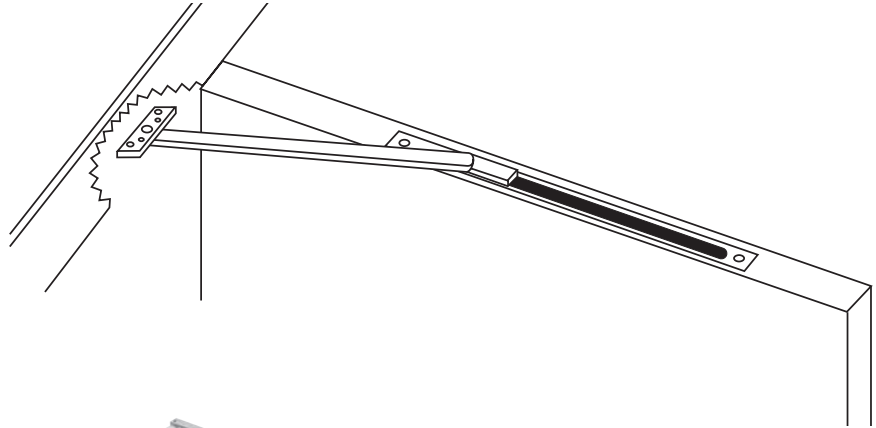
- SARGENT 1760 Series stops are 10C classified by Underwriter Laboratories as Miscellaneous Fire Door Accessories

Note: Door stops are not fire rated. The door and frame carry the fire rating

How to Order

Specify options, number, letter designation, finish and door thickness as required

Example: 1762S 26D x 1-3/4"



1760 shown

	ANSI No.
Shipping Weight 4.5 lbs.	Stop CO1542

Specifications

For Doors	Exterior and interior doors from 24" to 48" wide* and for doors 1-3/4" to 2" thick
Finishes	03, 04, 9, 10, 10B, 14, 15, 20D, 26D, 32, 32D, and EN, EB, ED, EP, EAB powder coat
Fasteners	Wood screws, machine screws, through-bolts, Mortise nuts supplied as standard for 1-3/4" – 2" thick doors.
Options	<ul style="list-style-type: none"> • Torx screws must be ordered separately using 22-2061 x finish • Replacement screw packs should be ordered as 22-2051 x finish

* When using vertical rod exit devices and/or surface/flush bolts, use caution in choosing the proper size to ensure compatibility

Door Size Chart

Butts Offset Pivots	Center Hung Pivots	Sizing Chart
Door Opening		Stop
*24" - 28"	–	1761S
28-1/16" - 33"	30" - 36"	1762S
33-1/16" - 38"	36-1/16" - 41"	1763S
38-1/16" - 43"	41-1/16" - 46"	1764S
43-1/16" - 48"	46-1/16" - 50"	1765S

*Butt hung only on this size door. No swing clear hinges.

Copyright © 2003, 2007, 2009-2012, Sargent Manufacturing Company, an ASSA ABLOY Group company. All rights reserved. Reproduction in whole or in part without the express written permission of Sargent Manufacturing Company is prohibited.

90124F 1/30/12

1720 Series Light Duty Overhead Concealed Mount

Holders & Stops

Interior – Light Traffic Doors (Adjustable Hold/Stop Position)

1720 Series

- Degree of opening is fully adjustable and can be adapted to changing needs
- All units are shipped as stops and are converted to hold open or friction in the field using adapter kit p/n 22-2050 (included)
- Concealed application for interior single or double acting doors
- Installed in a single position regardless of desired door opening. The stop or hold position is then adjusted to suit field conditions.

UL Classified

- SARGENT 1720 Series stops are 10C classified by Underwriter Laboratories as Miscellaneous Fire Door Accessories

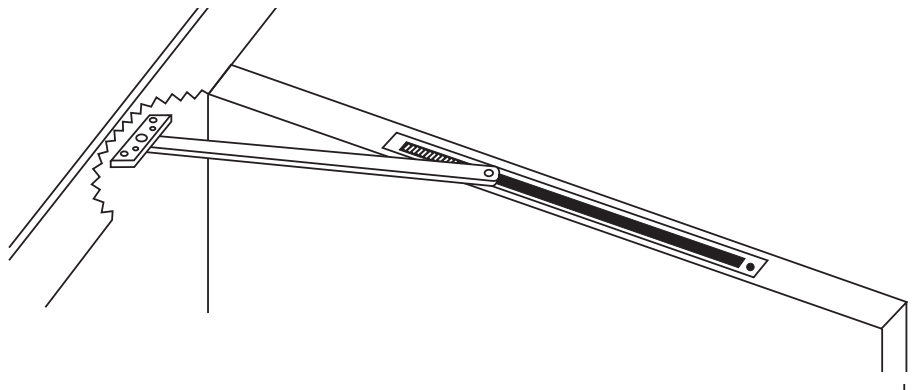
Note: Door stops are not fire rated. The door and frame carry the fire rating

How to Order

Specify options, number, letter designation, finish and door thickness as required

Example: 1723 26D x 1-3/4" door

Shipping Weight 3.5 lbs.	ANSI No.		
	Friction	Hold Open	Stop
	C04532	C04512	C04542



1720 shown

Specifications

For Doors	Interior doors from 18" - 48" wide* and for doors 1-3/4" to 2" thick
Finishes	03, 04, 9, 10, 10B, 14, 15, 20D, 26D, 32, 32D, and EN, EB, ED, EP, EAB powder coat
Fasteners	Wood screws, machine screws, through-bolts, Mortise nuts supplied as standard for 1-3/4" and 2" thick doors.
Options	<ul style="list-style-type: none"> • Torx screws must be ordered separately using 22-2063 x finish • Replacement screw packs should be ordered as 22-2053 x finish

* When using vertical rod exit devices and/or surface/flush bolts, use caution in choosing the proper size to ensure compatibility

Door Size Chart

Butts Offset Pivots	Center Hung Pivots	Sizing Chart
*18" - 24"	–	1721M
24-1/16" - 30"	27" - 32"	1722M
30-1/16" - 36"	32-1/16" - 38-1/2"	1723M
36-1/16" - 42"	38-9/16" - 45"	1724M
42-1/16" - 48"	45-1/16" - 48"	1725M

*Butt hung only on this size door. No swing clear hinges.

1710 Series Heavy Duty Overhead Concealed Mount

Holders & Stops



Interior or Exterior – High Traffic Doors

1710 Series

- Concealed application for interior single or double acting doors
- Two types to choose from:
 - “H” Holder; Stops and Holds doors open
 - “S” Stop; Stops door only
- All stops are installed for a particular degree of hold open or stop ranging from 85° to 110°
- Surface on/off knob on hold open models

UL Classified

- SARGENT 1710 Series stops are 10C classified by Underwriter Laboratories as Miscellaneous Fire Door Accessories

Note: Door stops are not fire rated. The door and frame carry the fire rating

Hold-Open Models

- Convenient knob provides simple “on-off” control of hold-open feature
- Adjustable release tension

Brackets

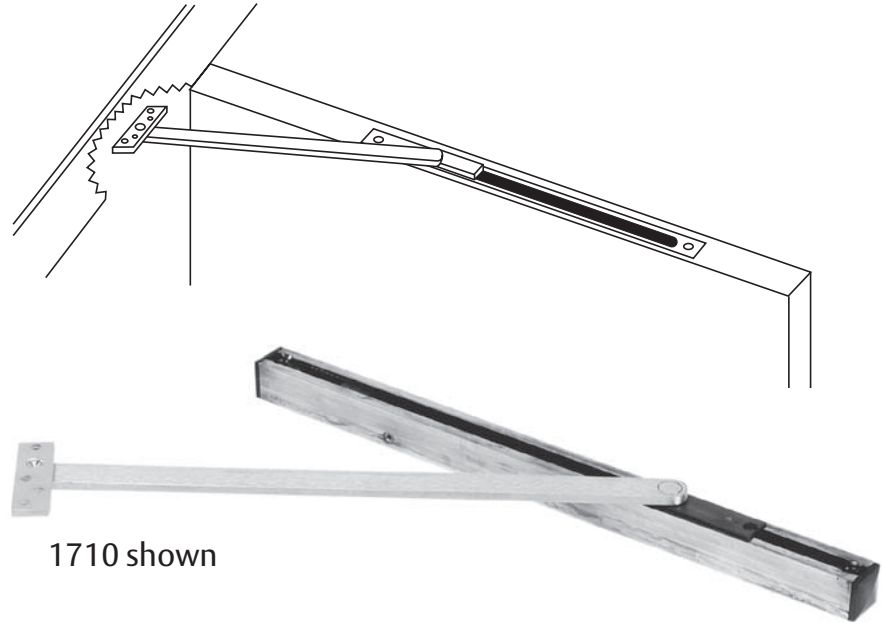
For Flush Door and Frames

1710 Series holders can be mounted on flush door and frame assemblies through the use of the 22-2072 LH or 22-2073 RH angle jamb bracket adapter. This handed bracket allows the mounting of the jamb bracket to the top casing.

How to Order

Specify options, number, letter designation, finish and door thickness as required

Example: 1713S 32D x 1-3/4" door



1710 shown

Specifications

For Doors	Interior doors from 24" to 48" wide* and for doors 1-3/4" to 2" thick
Finishes	03, 04, 9, 10, 10B, 14, 15, 20D, 26D, 32, 32D, and EN, EB, ED, EP, EAB powder coat
Fasteners	Wood screws, machine screws, through-bolts, Mortise nuts supplied as standard for 1-3/4"– 2" thick doors.
Options	<ul style="list-style-type: none"> • Torx screws must be ordered separately using 22-2061 x finish for 1710S or 22-2062H x finish for 1790H models • Replacement screw packs should be ordered as 22-2051 x finish for 1710S models and 22-2052 x finish for 1710H models

* When using vertical rod exit devices and/or surface/flush bolts, use caution in choosing the proper size to ensure compatibility

Shipping Weight 4.5 lbs.	ANSI No.	
	Hold Open	Stop
	C05512	C05542

Door Size Chart

Butts Offset Pivots	Center Hung Pivots	Sizing Chart	
		Hold Open	Stop Only
*24" - 28"	25-1/2" - 30"	1711H	1711S
28-1/16" - 33"	30-1/16" - 36"	1712H	1712S
33-1/16" - 38"	36-1/16" - 41"	1713H	1713S
38-1/16" - 43"	41-1/16" - 46"	1714H	1714S
43-1/16" - 48"	46-1/16" - 50"	1715H	1715S

*Butt hung only on this size door. No swing clear hinges.

Copyright © 2003, 2007, 2009-2012, Sargent Manufacturing Company, an ASSA ABLOY Group company. All rights reserved. Reproduction in whole or in part without the express written permission of Sargent Manufacturing Company is prohibited.

90124F 1/30/12

1701 Series Light Duty Overhead Surface Mount

Holders & Stops



Interior – Light Traffic Doors (Adjustable Hold/Stop Position)

1701 Series

- Degree of opening is fully adjustable and can be adapted to changing needs
- All units are shipped as stops and are converted to hold open or friction in the field using adapter kit p/n 22-2050 (included)
- Concealed application for interior single acting doors
- Installed in a single position regardless of desired door opening. The stop or hold position is then adjusted to suit field conditions.

UL Classified

- SARGENT 1701 Series stops are 10C classified by Underwriter Laboratories as Miscellaneous Fire Door Accessories

Note: Door stops are not fire rated. The door and frame carry the fire rating

Brackets

For Flush Door and Frames

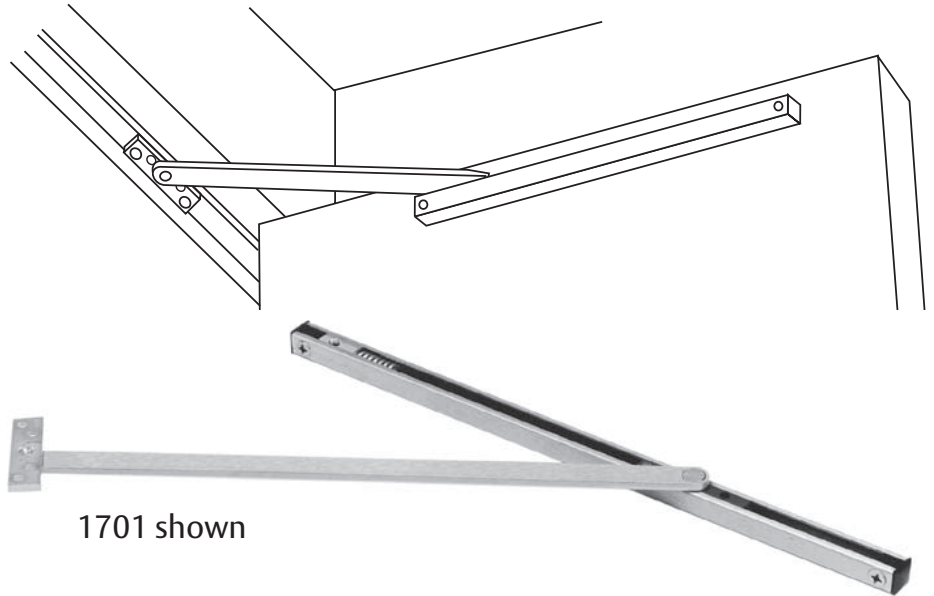
1701 Series holders can be mounted on flush door and frame assemblies through the use of the non handed angle jamb bracket adapter 22-2071.

How to Order

Specify options, number, letter designation, finish and door thickness as required

Example: 1705M 32D x 1-3/4" door

Shipping Weight 3.5 lbs.	ANSI No.		
	Friction	Hold Open	Stop
	C01512	C01542	C05542



Specifications

For Doors	Interior doors from 24" to 60" wide* and for doors 1-3/4" to 2" thick
Finishes	03, 04, 9, 10, 10B, 14, 15, 20D, 26D, 32, 32D, and EN, EB, ED, EP, EAB powder coat
Fasteners	Wood screws, machine screws, through-bolts, Mortise nuts supplied as standard for 1-3/4"– 2" thick doors.
Options	<ul style="list-style-type: none"> • Torx screws must be ordered separately using 22-2066 x finish • Replacement screw packs should be ordered as 22-2056 x finish

*** When using vertical rod exit devices and/or surface/flush bolts, use caution in choosing the proper size to ensure compatibility**

Door Opening Chart

Butts Offset Pivots	Center Hung Pivots	Sizing Chart
*18" - 24"	21" - 26-1/2"	1701M
24-1/16" - 30"	26-9/16" - 32"	1702M
30-1/16" - 36"	32-1/16" - 38"	1703M
36-1/16" - 42"	38-1/16" - 45"	1704M
42-1/16" - 48"	45-1/16" - 48"	1705M

*Butt hung only on this size door. No swing clear hinges.

SARGENT Traditional Holders & Stops

General Information

Holders & Stops

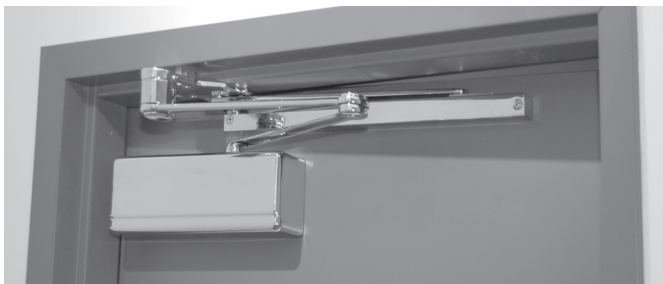


Selecting an Overhead Stop/Holder

The traditional line of Sargent overhead Holders & Stops is unsurpassed in the industry in regards to aesthetic details and quality. The 590 heavy-duty surface applied and 690 concealed heavy-duty series are designed for use on exterior doors and highly abused interior doors. The 1530 concealed series and the 1540 surface applied series are designed for use on interior doors.

All stops/holders are templated and installed for a particular degree of opening ranging between 85° to 110°. All SARGENT overhead holders/stops include a heavy duty spring designed to gradually absorb impact forces over a 3° to 9° of opening. When using holders and stops on doors opening against a wall or back to back, they should be templated/installed to eliminate the trim from coming into contact with the walls or each other.

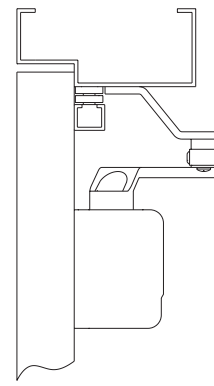
When using vertical rod exit devices and or surface/flush bolts, use caution in choosing the proper size to ensure compatibility.



281 PD10 with 590 Series stop in a 26 finish

Warranty

All 590, 690, 1530 and 1540 Series Holders and Stops carry a 5 year limited warranty for defects.



1431 P3 Shown with 1548 Stop

Copyright © 2003, 2007, 2009-2012, Sargent Manufacturing Company, an ASSA ABLOY Group company. All rights reserved. Reproduction in whole or in part without the express written permission of Sargent Manufacturing Company is prohibited.

SARGENT Traditional Holders & Stops

Features and Details

Holders & Stops

SARGENT®
ASSA ABLOY

Attention to detail and rugged design has made the SARGENT line of overhead stops and holders the premier door control products in the industry today. Our finely finished holders and stops are built from heavy gauge materials with attention to every detail. This produces a product that is strong and aesthetically pleasing.



Finished pivots



Decorative turn knob
finished same as track



Finished end caps recessed in channel

Features

- BHMA Certified: All 590 and 690 series holders & stops are BHMA Grade 1 Certified
- Heavy duty architectural bronze construction
- UL Classified: The 590, 690, 1530 and 1540 stops are UL 10B and UL 10C classified as a miscellaneous fire door accessories
- Corrosion resistance: Metal construction provides corrosion resistance in a variety of conditions
- Holder Selector: 590 and 690 series holders are equipped with a turn knob to activate and deactivate the hold open function
- Zinc end caps
- Through-bolts capture channel and end caps
- Heavy duty shock spring absorbs load and gradually stops door

Aesthetics:

- Metal construction provides superior quality plated finishes
- Finished End Caps: End caps recessed into channel and finished same as channel
- Finished Rivets: Fasteners used to secure the arm to the slide and the jamb bracket are polished and finished the same as the rest of the holder
- Finished holder turn lever: SARGENT 590 and 690 holders are built with a finished holder turn knob without any exposed screws
- Finished channel corners: Corners of the channels are polished to match the rest of the arm and channel

Convenience:

- Minimal number of sizes required to cover all door widths
- Standard holder sizes based on standard door widths
- Non-handed

Innovation

- SARGENT's revolutionary MicroShield® available. This antimicrobial silver-based finish coating permanently suppresses the growth of bacteria, algae, fungus, mold and mildew. EPA and NSF approved and FDA listed.

590 Series Heavy Duty Overhead Surface Mount

Holders & Stops

SARGENT®

ASSA ABLOY

Interior or Exterior – High Traffic Doors

590 Series

- Surface application for exterior and interior single acting doors
- Two types to choose from:
 - “H” Holder; Stops and Holds doors open
 - “S” Stop; Stops door only
- All holders/stops are installed for a particular degree of hold open or stop ranging from 85° to 110°

ANSI A156.8 Grade 1

590H Series BHMA Certified to CO2511
590S Series BHMA Certified to CO2541

UL Classified

- SARGENT 590 Series stops are UL10B & 10C classified by Underwriter Laboratories as Miscellaneous Fire Door Accessories

Note: Door stops are not fire rated. The door and frame carry the fire rating

Hold-Open Models

- Convenient knob provides simple “on-off” control of hold-open feature
- Adjustable release tension

Accessories

Shims

- Optional 1/4" thick jamb bracket shims for use with frames with blade stops
- Order as required by 21-0104 x finish with screws listed below

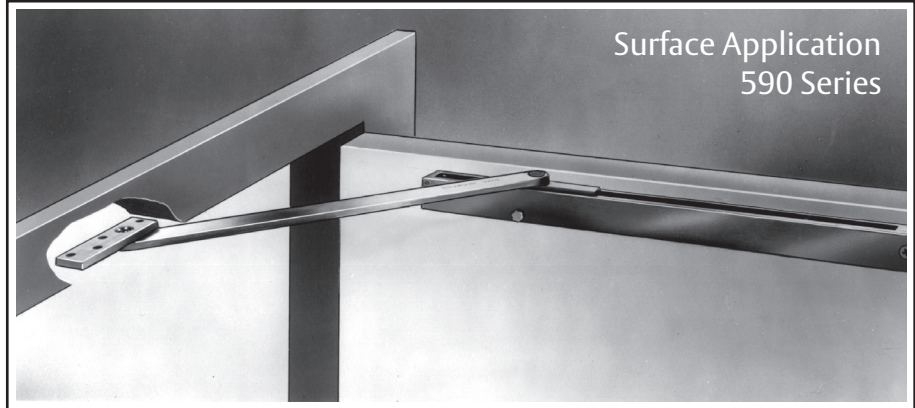
Machine Screws

- Used with above 590 shims up to 3/4" thick. 01-3454 x finish, 4 required. (1/4-20 x 1-1/4")
- Standard screw pack for 1-3/4" to 2" door. 21-2302 x finish

No. 195 Angle Bracket

For Flush Door and Frames

590 Series holders can be mounted on flush door and frame assemblies through the use of the SARGENT 195 Angle Bracket. This handed bracket allows the mounting of the jamb bracket to the top casing.



597H shown

Specifications

For Doors	Exterior and interior doors from 24" to 60" wide* and for doors 1-3/4" to 2" thick standard, Available for doors up to 3-1/4" thick, use 31- option and specify thickness
Finishes	03, 04, 9, 10, 10B, 10BL, 15, 20D, 26, 26D EN, EB, ED, EP, EAB Powder coat
Fasteners	Wood screws, machine screws, through-bolts, Mortise nuts supplied as standard for 1-3/4"– 2" thick doors. For doors more than 2" and less than 3-1/4", use 31- option and specify thickness
Options	31- Doors 2-1/4" to 3-1/4" thick, specify door thickness 36- Torx security machine screws for exposed screws on doors up to 2" thick. 6 per holder/stop CPC- Clear Powder Coat SG- MicroShield® - antimicrobial silver-based finish

* When using vertical rod exit devices and/or surface/flush bolts, use caution in choosing the proper size to ensure compatibility

How to Order

Specify options, number, letter designation, finish and door thickness as required

Example: 31-SG-597H x 04 x 2-1/2" door

Actual Width of Door	Sizing Chart	
	Stop with Hold-open	Stop Only
24" – 32-1/2"	597H	597S
32-5/8" – 39-1/8"	598H	598S
39-1/4" and over	599H	599S

690 Series Heavy Duty Overhead Concealed Mount

Holders & Stops

SARGENT®

ASSA ABLOY

Interior or Exterior – High Traffic Doors

690 Series

- Concealed application for exterior and interior single or double acting doors
- Two types to choose from:
 - “H” Holder; Stops and Holds doors open
 - “S” Stop; Stops door only
- Both series can be mounted to stop the door at any angle from 85° to 110°
- Non-handed (Reversible)

ANSI A156.8 Grade 1

690H Series BHMA Certified to CO1511
690S Series BHMA Certified to CO1541

UL Classified

- SARGENT 690 Series stops are UL10B & 10C classified by Underwriter Laboratories as Miscellaneous Fire Door Accessories

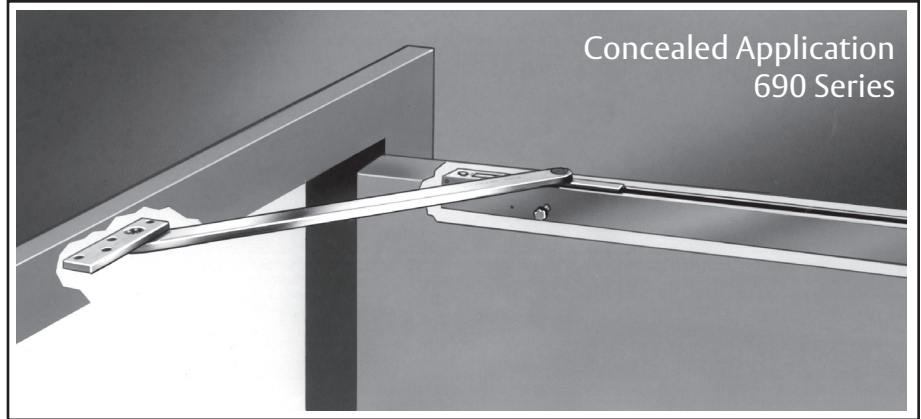
Hold-Open Feature

- Convenient knob provides simple “on-off” control of hold-open feature
- Adjustable release tension

Accessories

- Standard screw packs

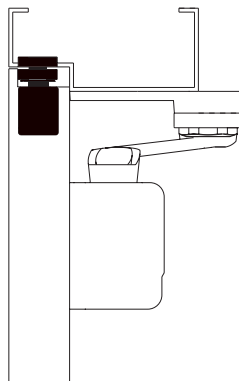
690H Series	21-2263 x finish
690S Series	21-2267 x finish



697H shown

Specifications

For Doors	Exterior and interior doors from 24" to 60" wide*. For doors 1-3/8" to 1-3/4" thick standard, Available for doors up to 3-1/4" thick, use 31- option and specify thickness
Finishes	03, 04, 9, 10, 10B, 10BL, 15, 20D, 26, 26D, and EN, EB, ED, EP, EAB powder coat
Fasteners	Wood screws and machine screws provided and specify thickness
Options	31- Doors 2" to 3-1/4" thick, specify door thickness 36- Torx Security machine screws. 8 required CPC- Clear Powder Coat SG- MicroShield® - antimicrobial silver-based finish



351-P10 shown with 697S on a single acting door

How to Order

Specify options, number, letter designation, finish and door thickness as required

Example: 31-CPC-697H x 03 x 2" door

Actual Width of Door	Sizing Chart	
	Stop with Hold-open	Stop Only
24" – 32-1/2"	697H	697S
32-5/8" – 39-1/8"	698H	698S
39-1/4" and over	699H	699S

* When using vertical rod exit devices and/or surface/flush bolts, use caution in choosing the proper size to ensure compatibility

1540 Series Standard Duty Overhead Surface Mount

Holders & Stops

SARGENT®

ASSA ABLOY

Interior - Medium Traffic Doors

1540 Series

- Surface application for interior single acting doors. Three types to choose from:
 - “H” Holder; Stops and Holds doors open
 - “S” Stop; Stops door only
 - “F” Friction Type; Holds door open
- Holder/Stop is surface mounted with arm and bracket attached to top jamb

Hold Open With Stop Type:

- Holds door open for a particular degree from 85° to 110°
- Hold-open feature engages and releases easily by a push or pull action
- Release tension is easily adjustable

Stop Only Type:

- Used to stop door with shock absorber spring
- Protects wall and door
- Maximum door opening 110°

Friction Type:

- Prevents unwanted movement of door
- Not for use with a door closer
- Can be held in any position up to 110°
- Friction unit is made of heavy duty brake lining type material
- Adjustable friction control

ANSI A 156.8 Grade 1

- 1540 F Series complies to C05531
- 1540 H Series complies to C05511
- 1540 S Series complies to C05541

UL Classified

- SARGENT 1540 Series stops are UL10B & 10C classified by Underwriter Laboratories as Miscellaneous Fire Door Accessories

Note: Stops are not rated. The door and frame carry the fire rating

Accessories

Shims

- Optional 1/4" thick jamb bracket shims for use with frames with blade stops.

Machine Screws

- Order as required by 21-0198 x finish
- Used with above shims up to 3/4" thick. Four required per overhead. Order by 01-3436 x finish (12-24 x 1-1/4")
- Standard screw pack 21-2031 x finish



1548S Shown

Specifications

For Doors	Interior doors 18-1/2" up to 48" wide*, 1-3/8" to 1-3/4" thick standard, Available for doors up to 2-1/4" thick, use 31- option and specify thickness
Finishes	03, 04, 9, 10, 10B, 10BL, 15, 20D, 26, 26D, and EN, EB, ED, EAB, EP powder coat
Options	31- Doors 1-7/8" to 2-1/4" thick, specify door thickness 36- Torx Security machine screws. 6 required CPC- Clear Powder Coat SG- MicroShield® - antimicrobial silver-based finish

How to Order

Specify options, number, letter designation, finish and door thickness as required

Example: 31-CPC-1537F x 26D x 2" door

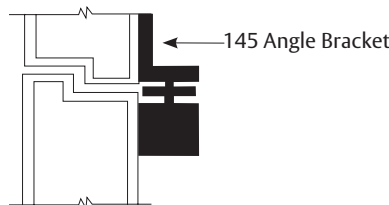
1540 Series furnished with through-bolt and grommet nut for mounting on doors, 1-3/8" to 1-3/4" thick only. For other doors up to 2-1/4" thick, specify thickness when ordering. For center hung pivots, consult factory.

Actual Width of Door	Sizing Chart		
	Hold-Open with Stop	Stop Only	Friction Stop/Holder
18-1/2" – 25"	1546H	1546S	1546F
25-1/8" – 32-1/2"	1547H	1547S	1547F
32-5/8" – 40"	1548H	1548S	1548F
40-1/8" – 48"	1549H	1549S	1549F

No. 145 Angle Bracket

For Flush Door and Frames

Series 1540 Overhead Door Holders can be mounted on flush doors and frames using the No. 145 Angle Bracket. This bracket allows the mounting of the arm to the top casing. Bracket is not handed.



145 ANGLE BRACKET SHOWN WITH 1540 WITH FLUSH TRANSOM OR RABBETED DOORS

*** When using vertical rod exit devices and or surface/flush bolts, use caution in choosing the proper size to ensure compatibility**

Copyright © 2003, 2007, 2009-2012, Sargent Manufacturing Company, an ASSA ABLOY Group company. All rights reserved. Reproduction in whole or in part without the express written permission of Sargent Manufacturing Company is prohibited.

90124F 1/30/12

1530 Series Standard Duty Overhead Concealed Mount

Holders & Stops

SARGENT®

ASSA ABLOY

Interior – Medium Traffic Doors

1530 Series

- Concealed application for interior single or double acting doors opening to 110°
- Three types to choose from:
 - “H” Holder; Stops and Holds doors open
 - “S” Stop; Stops door only
 - “F” Friction Type; Holds door open
- Holder/Stop is concealed with arm and bracket mortised into jamb

Hold-Open With Stop:

- Holds door open for a particular degree from 85° to 110°
- Hold-open feature engages and releases easily by a push or pull action
- Release tension is easily adjustable

Stop Only Type:

- Used to stop door with shock absorber spring
- Protects wall and door
- Maximum door opening 110°

Friction Type:

- Prevents unwanted movement of door
- Not for use with a door closer
- Can be held in any position up to 110°
- Friction unit is made of heavy duty brake lining type material
- Adjustable friction control for varying conditions

ANSI A156.8 Grade 1

1530F Series complies to C04531
 1530H Series complies to C04511
 1530S Series complies to C04541

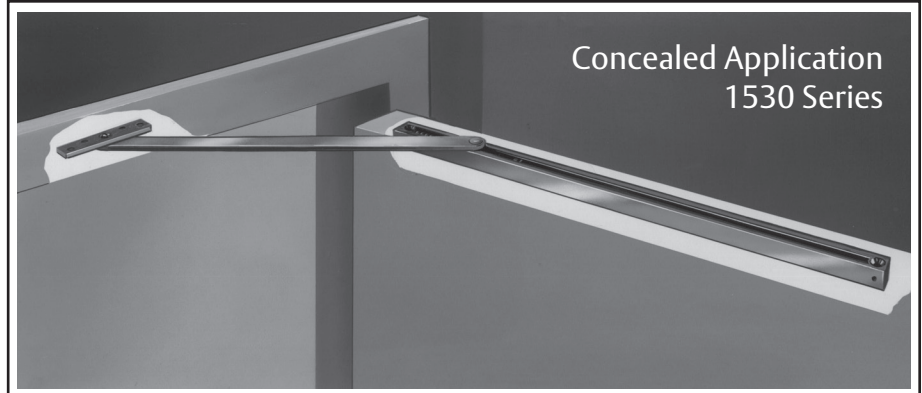
UL Classified

- SARGENT 1530 Series stops are UL10B & 10C classified by Underwriter Laboratories as Miscellaneous Fire Door Accessories

Note: Stops are not rated. The door and frame carry the fire rating

Accessories

- Standard screw pack 21-2019 x finish



1538 S shown

Specifications

For Doors	Interior doors 19" up to 48" wide*, 1-3/8" to 1-3/4" thick, as standard. Available for doors up to 2" thick, use 31- option and specify thickness
Finishes	03, 04, 9, 10, 10B, 10BL, 15, 20D, 26, 26D, and EN, EB, ED EAB, EP powder coat
Fasteners	Wood screws, machine screws provided as standard
Options	31- Doors 1-7/8" to 2" thick, specify door thickness 36- Torx Security machine screws. 6 required CPC- Clear Powder Coat SG- MicroShield® - antimicrobial silver-based finish

* When using vertical rod exit devices and or surface/flush bolts, use caution in choosing the proper size to ensure compatibility

Actual Width of Door	Sizing Chart		
	Hold-Open with Stop	Stop Only	Friction Stop/Holder
19" – 25"	1536H	1536S	1536F
25-1/8" – 32-1/2"	1537H	1537S	1537F
32-5/8" – 40"	1538H	1538S	1538F
40-1/8" – 48"	1539H	1539S	1539F

Actual Width of Door	Sizing Chart For Center Hung Pivots Only		
	Hold-Open with Stop	Stop Only	Friction Stop/Holder
21-1/4" – 26-5/8"	1536H	1536S	1536F
26-3/4" – 32-1/2"	1537H	1537S	1537F
32-5/8" – 40"	1538H	1538S	1538F
40-1/8" – 48"	1539H	1539S	1539F

How to Order

Specify options, number, letter designation, finish and door thickness as required

Example: 31-CPC-1537F x 26D x 2" door

1560 Series Electromagnetic Door Holders

Holders & Stops

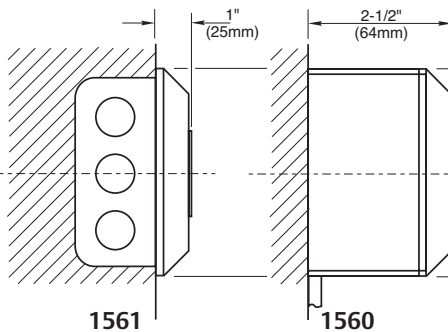


Electromagnetic Door Holder

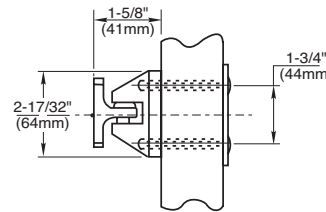
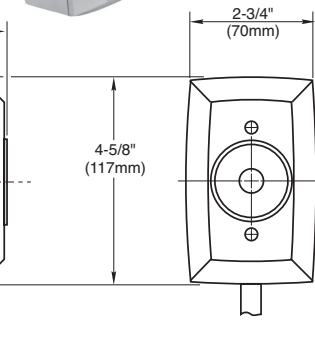
- Designed for use with self-closing fire and smoke barrier doors
- Use independently or with any fire or smoke detector system
- When de-activated, helps control the spread of fire and smoke by automatically releasing doors from an open position for simultaneous closing
- Fail-safe device: When electrical power fails, doors will release to close automatically
- Conforms to devices outlined in National Fire Protection Agency Standards Nos. 80 and 101
- Designed to work with SARGENT door closers
- Recommended vertical location is on top rail of door – within 6" of lock stile edge
- When applications will not allow wall or floor magnets, consult SARGENT's FireGuard catalog for our line of Electronic Closer Holders
- Fits standard outlet box
- Holding force – 35 lbs typical
- Voltage and Current:
120 VAC, 60 Hz., .020 amp
24 VAC/DC, 60 Hz., .020 amp
12 VDC, .040 amp
- Finish – EN
- Meets ANSI A156.15
- UL Listed to U.S. and Canadian safety standards
- 1" (25mm) extension p/n 52-2573 included standard to increase armature projection to 2-5/8" (67mm)
- Order as:
1561 for Flush Mount
1560 for Surface Mount
1562 for Single Floor Mount
1563 for Double Floor Mount

Wall Mount

1561 Flush Mount

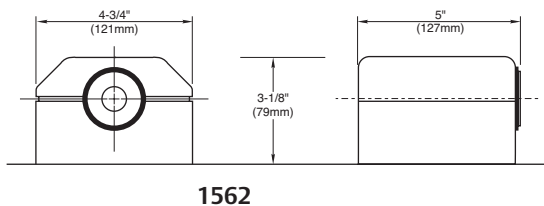


1560 Surface Mount

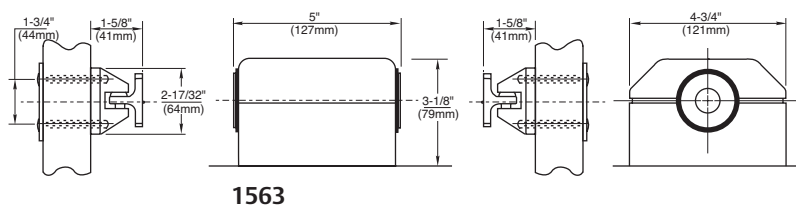


Floor Mount

1562 Single Floor Mount



1563 Double Floor Mount



Copyright © 2003, 2007, 2009-2012, Sargent Manufacturing Company, an ASSA ABLOY Group company. All rights reserved. Reproduction in whole or in part without the express written permission of Sargent Manufacturing Company is prohibited.

90124F 1/30/12

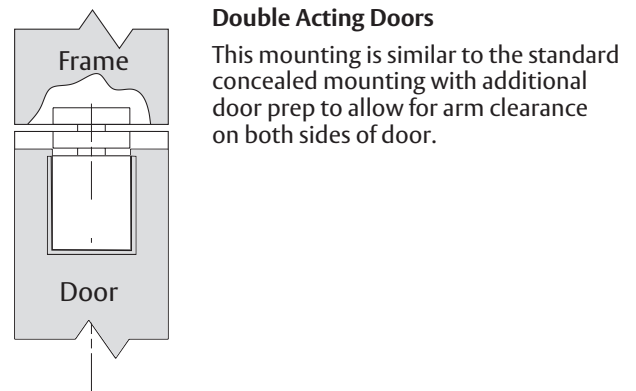
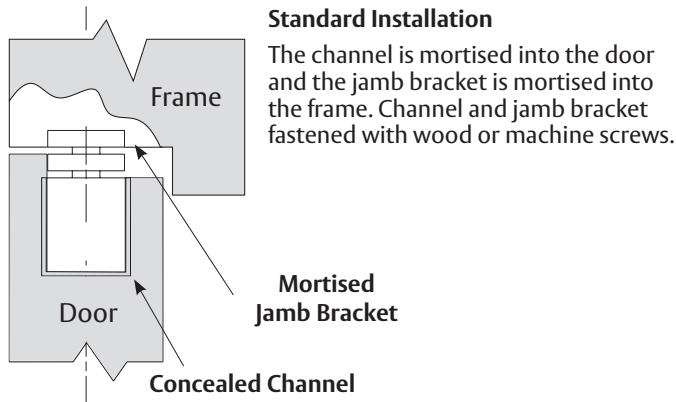
Overhead Holder & Stop Installations

Holders & Stops

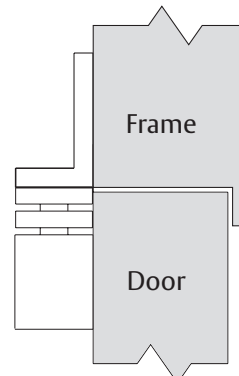
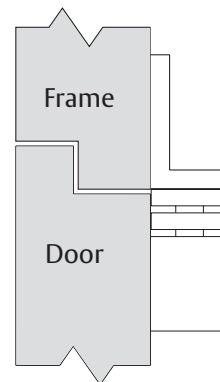
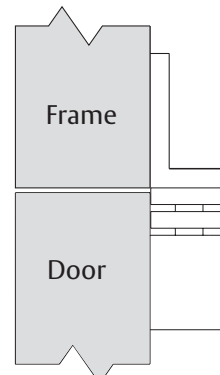
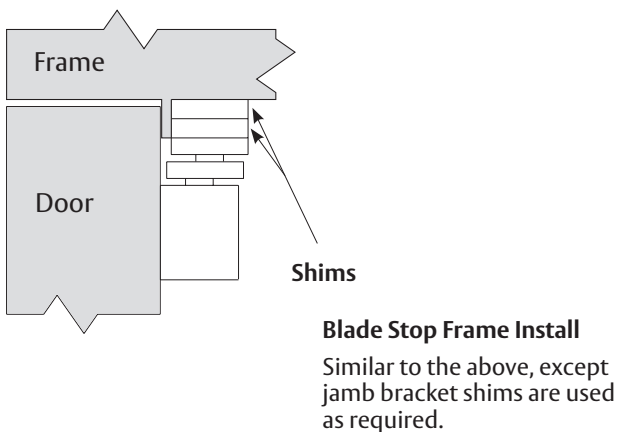
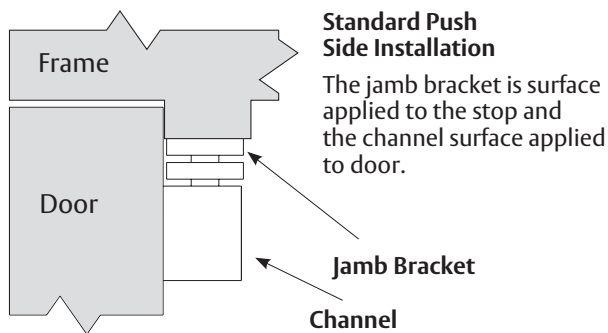
SARGENT®

ASSA ABLOY

Concealed Mounting (690 or 1530 Series)



Surface Mounting (590 or 1540 Series)



Finishes & Door Closer Compatibility Chart

Holders & Stops

SARGENT®
ASSA ABLOY

Note: EN Finish standard for 1560 Series, consult factory for other painted colors

Frequently Used SARGENT Door Closers with Overhead Holders and Stops

- **Standard Door Closer Applications (PULL SIDE MOUNT)**

1790 and 590 Series with 281, 351, 1431 Series with "O" Arm
1710 and 690 Series with 281, 351, 1431 Series with "O" Arm
1720, 1760 and 1530 Series with 281, 351, 1431 Series with "O" Arm
1710 and 1540 Series with 281, 351, 1431 Series with "O" Arm

- **Parallel Arm Door Closer Applications (PUSH SIDE MOUNT)**

1790 and 590 Series with 281, 351, 1431 Series with "P3" Arm
1710 and 690 Series with 281, 351, 1431 Series with "P9" Arm
1710 and 690 Series with 281, 351, 1431 Series with "P10" Arm
1720 and 1530 Series with 281, 351, 1431 Series with "P9" Arm
1720, 1760 and 1530 Series with 281, 351, 1431 Series "P10"
1701 and 1540 Series with 281, 351, 1431 Series with "P3" Arm

- **Parallel Arm Door Closer Applications Used with a Flush Frame**

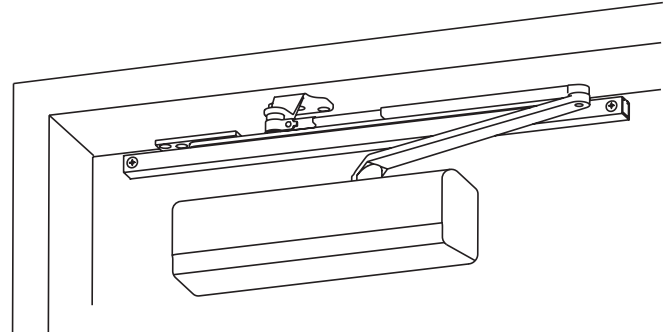
1790 and 590 Series with 281, 351, 1431 Series with "P4" ARM
1710 and 690 Series with 281, 351, 1431 Series with "P4" ARM
1720, 1760 and 1530 Series with 281, 351, 1431 Series with "P4" ARM
1701 and 1540 Series with 281, 351, 1431 Series with "P4" ARM

- **Inverted Top Jamb Applications**

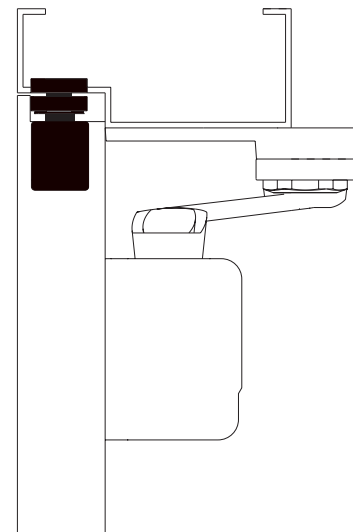
590, 690, 1530, 1540 Series with 281, 351, 1431 Series and "O" OZ, OZA arm

Note: This chart is only a quick reference. Some applications may require the use of 145 or 195 angle bracket

Contact factory for special applications.



1430-P3 Shown w/15485



351 P10 Shown w/6975

SARGENT Manufacturing Company
100 Sargent Drive
New Haven, CT 06511 USA
800-727-5477 • www.sargentlock.com

Founded in the early 1800s, SARGENT[®] is a market leader in locksets, cylinders, door closers, exit devices, electro-mechanical products and access control systems for new construction, renovation, and replacement applications. The company's customer base includes commercial construction, institutional, and industrial markets.

Copyright © 2003, 2007, 2009-2012, Sargent Manufacturing Company, an ASSA ABLOY Group company. All rights reserved. Reproduction in whole or in part without the express written permission of Sargent Manufacturing Company is prohibited.

ASSA ABLOY is the global leader in door opening solutions, dedicated to satisfying end-user needs for security, safety and convenience.